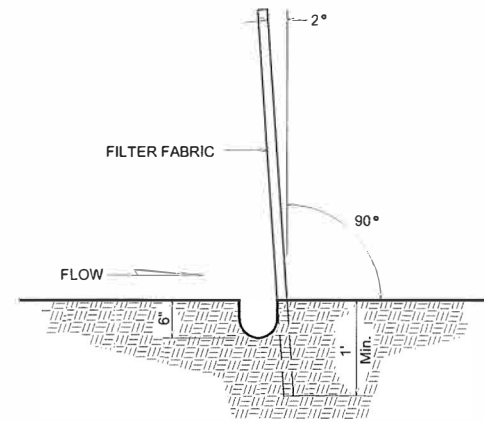


TEMPORARY SILT FENCE



NOTE: ALL DIMENSIONS AND LOCATIONS NOT INDICATED FOR ITEMS APPEARING ON THIS SHEET OR ON THE PLANS SHALL BE AS DIRECTED BY THE ENGINEER. STAKES AND ATTACHMENT OF FILTER FABRIC SHALL BE AS DIRECTED BY THE ENGINEER.

RECOMMENDED TOE-IN SECTION

TEMPORARY SILT FENCE

DESCRIPTION:
THIS WORK SHALL CONSIST OF THE FURNISHING, INSTALLATION, MAINTENANCE, AND REMOVAL OF GEOTEXTILE BARRIER FENCE DESIGNED TO REMOVE SUSPENDED SOIL PARTICLES FROM WATER PASSING THROUGH THE FENCE. SILT FENCE SHALL BE INSTALLED AS SOON AS PRACTICAL TO PREVENT CONSTRUCTION FROM CONTAMINATING DRAINAGE WAYS. THE LOCATIONS FOR TEMPORARY SILT FENCE SHOWN ON THE PLANS ARE APPROXIMATE AND MAY BE CHANGED BY THE ENGINEER.

MATERIALS:
THE SILT FENCE SHALL BE A WOVEN, POLYPROPYLENE, POLYESTER OR POLYAMIDE MATERIAL THAT SHALL BE RESISTANT TO ULTRAVIOLET DEGRADATION, MILDEW AND ROT. THE EDGES OF WOVEN FABRICS SHALL BE SEALED OR SELVAGED TO PREVENT RAVELING. FABRIC SHALL BE AT LEAST 36 INCHES WIDE WITH 6 INCHES OF THE WIDTH BURIED IN A TRENCH TO PREVENT UNDERCUTTING. THE FABRIC SHALL EXHIBIT THE FOLLOWING PHYSICAL PROPERTIES WHEN SAMPLED AND TESTED USING THE SPECIFIED METHODS.

PROPERTY	TEST METHOD	VALUES
GRAB TENSILE	ASTM D-4632	100 LBS. MIN.
ELONGATION @ YIELD	ASTM D-4632	10-40 LBS. (MAX.)
TRAPEZOID TEAR	ASTM D-4533	50 LBS. MIN.
UV RESISTANCE	ASTM D-4355	80% MIN.
APPARENT OPENING SIZE	ASTM D-4751	20-50 US SIEVE
	ASTM D-4491	0.01 MIN.

THE MANUFACTURER SHALL FURNISH A TYPE A CERTIFICATION WITH EACH SHIPMENT OF FENCE. THE MATERIAL SHALL BE WRAPPED IN A PROTECTIVE COVER TO GUARD AGAINST DAMAGE FROM ULTRAVIOLET RADIATION AND ABRASION DURING SHIPPING AND HANDLING. PREFABRICATED FENCE SYSTEMS MAY BE USED PROVIDED THEY MEET ALL OF THE MATERIAL REQUIREMENTS.

CONSTRUCTION METHODS:
THE CONTRACTOR SHALL INSTALL A TEMPORARY SILT FENCE AS SHOWN ON THE PLANS AND/OR AS DIRECTED BY THE ENGINEER. FENCE CONSTRUCTION SHALL BE ADEQUATE TO HANDLE THE STRESS FROM HYDRAULIC AND SEDIMENT LOADING. GEOTEXTILE AT THE BOTTOM OF THE FENCE SHALL BE BURIED AS INDICATED ON THE STANDARD DRAWINGS. THE TRENCH SHALL BE BACKFILLED AND THE SOIL COMPACTED OVER THE GEOTEXTILE. FABRIC ENDS SHALL BE SPLICED TOGETHER AS INDICATED ON THE STANDARD DRAWING.

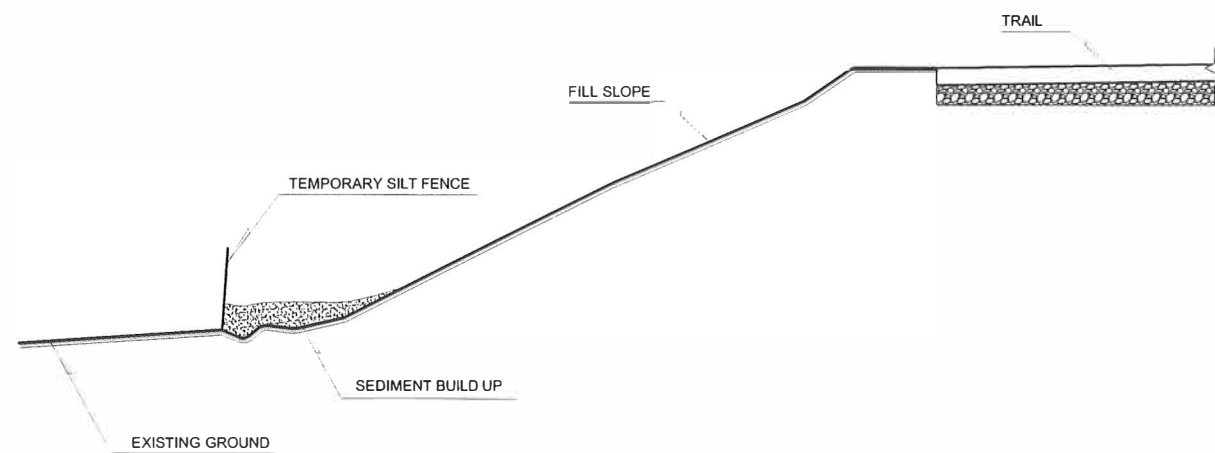
POSTS:
POSTS MAY BE EITHER WOOD, STEEL OR SYNTHETIC MATERIAL WITH A MINIMUM LENGTH OF 42 INCHES AND BE OF SUFFICIENT STRENGTH TO RESIST DAMAGE DURING INSTALLATION AND STRONG ENOUGH TO SUPPORT APPLIED LOADS. SPACING BETWEEN POSTS SHALL NOT EXCEED 5 FEET AND POSTS WILL BE EMBEDDED INTO THE GROUND AT LEAST 1 FOOT. THE GEOTEXTILE WILL BE SECURELY FASTENED TO THE FENCE POSTS.

IT IS THE CONTRACTOR'S RESPONSIBILITY TO MAINTAIN THE INTEGRITY OF SILT FENCES AS LONG AS THEY ARE NECESSARY TO CONTAIN SEDIMENT RUNOFF. THE CONTRACTOR SHALL INSPECT ALL TEMPORARY SILT FENCES IMMEDIATELY AFTER EACH RAINFALL AND AT LEAST DAILY DURING PROLONGED RAINFALL. ANY DEFICIENCIES SHALL BE IMMEDIATELY CORRECTED BY THE CONTRACTOR. IN ADDITION, THE CONTRACTOR SHALL MAKE A DAILY REVIEW OF THE LOCATION OF SILT FENCES IN AREAS WHERE CONSTRUCTION ACTIVITIES HAVE CHANGED THE NATURAL CONTOUR AND DRAINAGE RUNOFF TO ENSURE THAT THE SILT FENCES ARE PROPERLY LOCATED FOR EFFECTIVENESS.

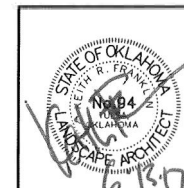
WHEN THE ACCUMULATED SILT REACHES A DEPTH OF 6 INCHES, THE CONTRACTOR SHALL REMOVE THE SEDIMENT AND DEPOSIT IT AT APPROVED SITES IN A MANNER THAT WILL NOT CONTRIBUTE TO ADDITIONAL SILTATION INTO THE RECEIVING WATERS. THE SILT FENCE SHALL REMAIN IN PLACE UNTIL THE ENGINEER APPROVES REMOVAL. THE EFFECTED AREA SHALL BE GRADED AND DRESSED TO THE SATISFACTION OF THE ENGINEER AFTER REMOVAL OF SILT FENCE.

METHOD OF MEASUREMENT:
SILT FENCE WILL BE MEASURED BY THE LINEAR FOOT IN PLACE AS DIRECTED BY THE ENGINEER.

BASIS OF PAYMENT:
ACCEPTED SILT FENCE, MEASURED AS PROVIDED ABOVE, WILL BE PAID FOR AT THE CONTRACT UNIT PRICE BID FOR TEMPORARY SILT FENCE. PRICE BID WILL INCLUDE THE COST OF FURNISHING THE MATERIALS, INSTALLATION, MAINTENANCE, REMOVAL OF SEDIMENT AND SILT FENCE ALONG WITH THE DRESSING OF DISTURBED AREAS.



TYPICAL SILT FENCE PLACEMENT



City of Sand Springs - Park Road Trail			PREPARED BY: LANDPLAN CONSULTANTS	Tulsa County
Design	JM	7/16		
Drawn	JM/BB	8/16		
Checked	KF/JM	6/17		
Approved				
Squad	LandPlan		STATE JOB NO. 28844(04)	Sheet No. 62 of 63